



SUBMITTAL DATA – VRF Outdoor Unit

MDVC-V92W/DVN1

Mini VRF Cooling Only

Job: _____
Location: _____
Schedule No.: _____
System Designation: _____

Engineer: _____
Architect: _____
Date: _____
For: Reference Approval Review Construction

FEATURES

- All DC Inverter Technology
- Auto Addressing
- Anti-corrosion Protection (Optional)
- Wide Application Range
- Single Fan
- Easy Installation and Service
- Cooling Only

SPECIFICATIONS

PERFORMANCE

| | | |
|------------------|---------|--------|
| Cooling Capacity | Btu/h | 31,400 |
| | kW | 9.2 |
| Power Input | kW | 2.06 |
| EER | W/W | 4.47 |
| | Btu/W*h | 15.3 |

ELECTRICAL DATA

| | | |
|---------------------------------------|---------|--------------------|
| Power Supply | V/Hz/Ph | 220V, 1Ph, 50/60Hz |
| Min. Circuit Ampacity | A | 23 |
| Total Overcurrent Circuit Protection. | A | 25 |
| Max. Fuse Amps. | A | 30 |
| Compressor RLA | A | 9.7 |
| No. of Compressors | / | 1 |
| Outdoor Fan Power Input | W | 90 |
| Outdoor Fan FLA | A | 1.0 |

GENERAL DATA

| | | |
|----------------------------|------------------------|-------------|
| Connection Ratio | % | 45% to 130% |
| Max. # of Indoor Units | / | 5 |
| Sound Pressure Level | dB(A) | 54 |
| Outdoor Fan Air Volume | m ³ /h(CFM) | 3,400(2000) |
| Refrigerant type | / | R410A |
| Factory refrigerant charge | kg(lbs.) | 1.4(3.1) |

DIMENSIONS

| | | |
|-------------------------|----------|---------------|
| Unit Dimensions mm(in.) | Height | 862(33-15/16) |
| | Width | 973(38-5/16) |
| | Depth | 302(11-7/8) |
| Liquid Pipe Connection | mm(in.) | Φ9.52 (Φ3/8) |
| Gas Pipe Connection | mm(in.) | Φ15.9 (Φ5/8) |
| Net Weight | kg(lbs.) | 58 (128) |
| Shipping Weight | kg(lbs.) | 63 (139) |

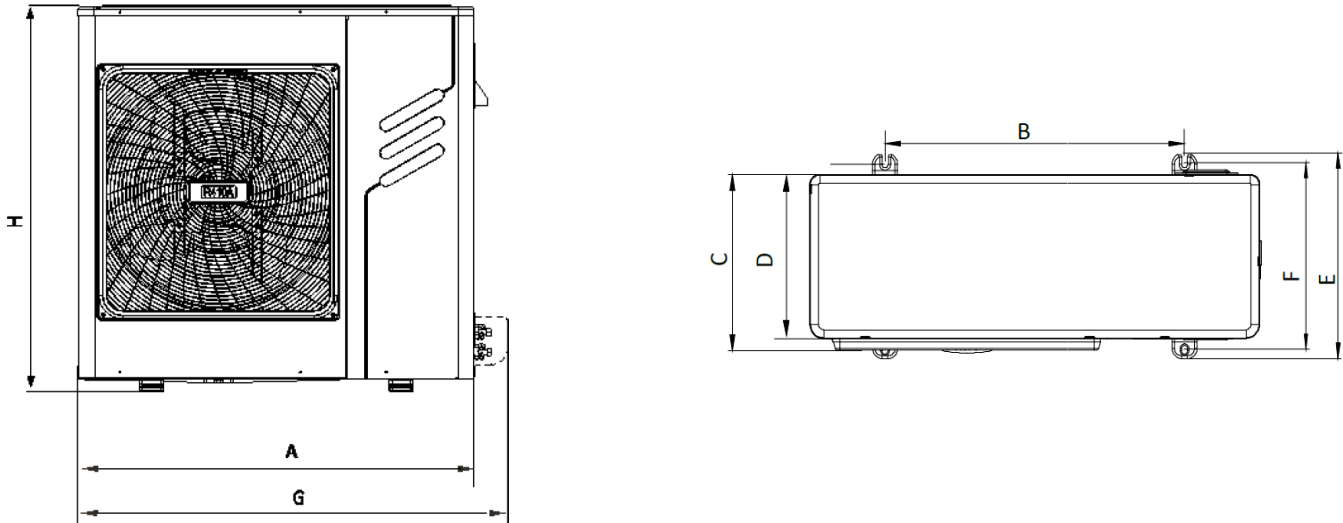


OPTIONAL ACCESSORIES

1. Cooling Capacity data is rated at the following conditions:
80.6°FDB / 66.2°FWB Indoor, 95°FDB Outdoor;
2. Sound pressure level is measured at a position 1m (3.28ft.) in front of the unit and 1.3m (4.26ft.) above the floor in a semi-anechoic chamber

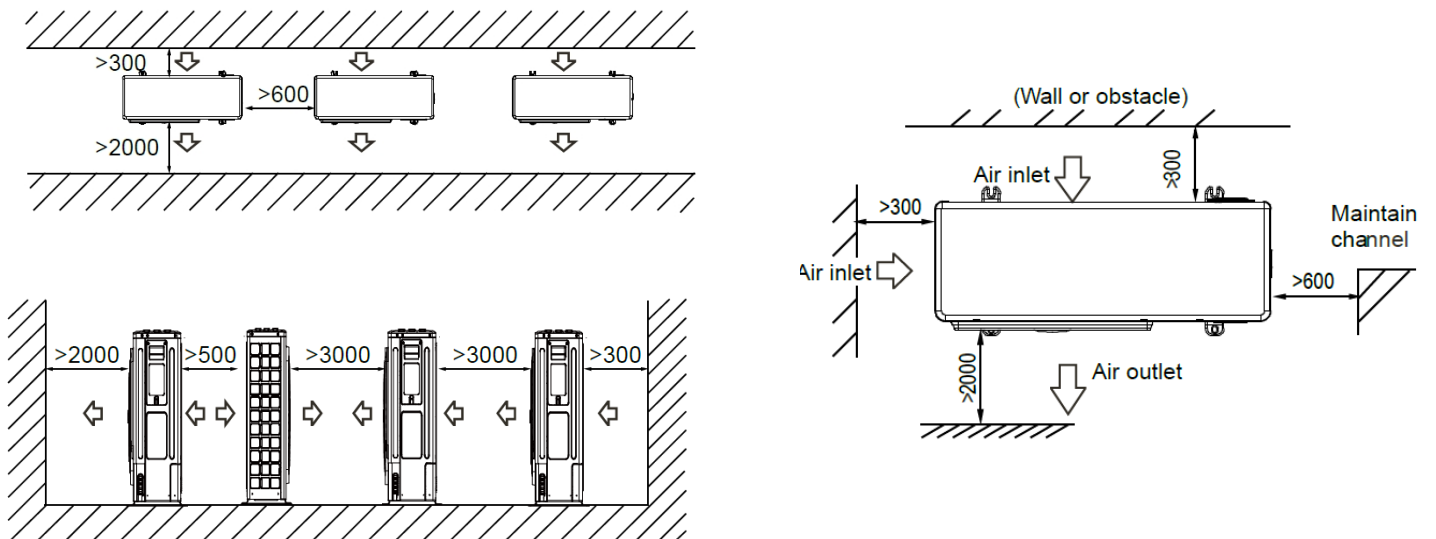
NOTE – Due to Midea' ongoing commitment to quality, Specifications, Ratings and Dimensions subject to change without notice and without incurring liability. Improper installation, adjustment, alteration, service or maintenance can cause property damage or personal injury. Installation and service must be performed by a qualified installer and servicing agency.

DIMENSIONAL DRAWINGS (mm)



| Model | A | B | C | D | E | F | G | H |
|--------------|-----|-----|-----|-----|-----|-----|-----|-----|
| 7.2/9.2/11.0 | 895 | 590 | 346 | 302 | 355 | 333 | 973 | 862 |

INSTALLATION SPACE REQUIREMENT (mm)



NOTE – Due to Midea' ongoing commitment to quality, Specifications, Ratings and Dimensions subject to change without notice and without incurring liability. Improper installation, adjustment, alteration, service or maintenance can cause property damage or personal injury. Installation and service must be performed by a qualified installer and servicing agency.