



MVME Series Multi-position Air handler

1.5-5 Ton

Standard Features

- ❖ Available for cooling and heat pump applications.
- ❖ Multi-speed ECM blower motor.
- ❖ All-aluminum tubes & fins.
- ❖ Common Factory-sealed cabinet certified to achieve 2% or less leakage rate at 1.0 inch water column.
- ❖ Multi-position Installation.
- ❖ Horizontal and vertical condensate drain pans standard;
- ❖ Blower and coil easy slide out for ease of maintenance.
- ❖ Field Installed heater kits are optional: 5/7.5/10/15/20kW.
- ❖ AHRI Listed & ETL Certified.



Midea Building Technologies Division

Add.: Midea Headquarters Building, 6 Midea Avenue, Shunde, Foshan, Guangdong, China

Postal code: 528311

mbt.midea.com / global.midea.com / tsp.midea.com



Note: Product specifications change from time to time as product improvements and developments are released and may vary from those in this document.

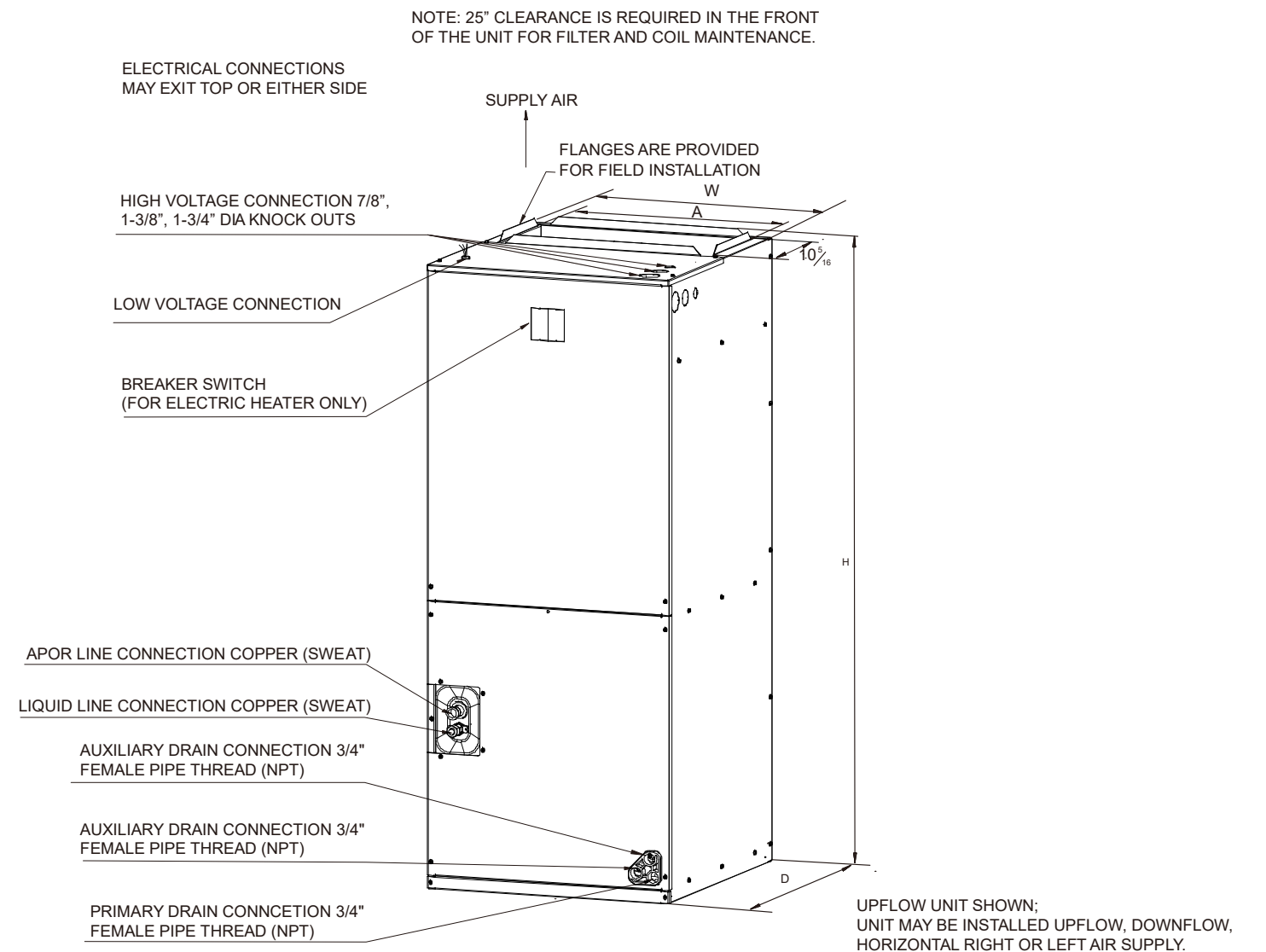
Midea-Discover Easy Comfort



Specifications

Model	MVMP18A1MN1OC	MVMP24B1MN1OC	MVMP36B1MN1OC	MVMP48C1MN1OC	MVMP60C1MN1OC
NOMINAL CAPACITY					
Cooling (BTU/h)	18,000	24,000	36,000	48,000	60,000
External Static Pressure(in.w.c)	0.6	0.6	0.6	0.7	0.8
ELECTRICAL DATA					
Voltage / Phase (60 Hz)	208/230/1	208/230/1	208/230/1	208/230/1	208/230/1
Min. / Max. Voltage	187/253	187/253	187/253	187/253	187/253
Min. Circuit Amps	1.9	2.9	3.3	4.2	5.7
Max. Overcurrent Protection	15	15	15	15	15
FAN MOTOR					
Motor Type	PSC	PSC	PSC	PSC	PSC
Capacitor (uF)	6	10	10	20	20
Horsepower (HP)	1/5	1/4	1/2	1/2	3/4
Rated RPM	755	903	865	925	990
Full Load Amps (FLA)	1.5	2.3	2.6	3.3	4.5
FAN BLOWER					
Material	Metal	Metal	Metal	Metal	Metal
Type	Centrifugal	Centrifugal	Centrifugal	Centrifugal	Centrifugal
Diameter(in.)	10-5/8	13	13	13	13
Height(in.)	10-3/4	10-5/8	10-5/8	10-5/8	10-5/8
EVAPORATOR COIL					
Type	Tube & Fin	Tube & Fin	Tube & Fin	Tube & Fin	Tube & Fin
Tube Material	Aluminum	Aluminum	Aluminum	Aluminum	Aluminum
Tube Size(in.)	9/32	9/32	9/32	9/32	9/32
REFRIGERANT CONNECTION SIZE					
Liquid Line Size (O.D.)	3/8	3/8	3/8	3/8	3/8
Suction Line Size (O.D.)	3/4	3/4	3/4	7/8	7/8

Dimensions



Model	MVMP18A1MN1OC	MVMP24B1MN1OC	MVMP36B1MN1OC	MVMP48C1MN1OC	MVMP60C1MN1OC
UNIT DIMENSION AND WEIGHTS					
Height(in.)	41-3/8	46-1/2	46-1/2	54-1/2	54-1/2
Width(in.)	18-1/8	19-5/8	19-5/8	22	22
Depth(in.)	20-1/2	21-5/8	21-5/8	24	24
Weight(lbs.)	108	128	128	159	161