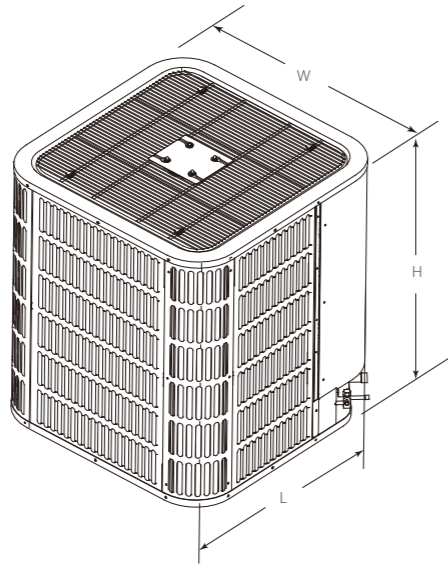
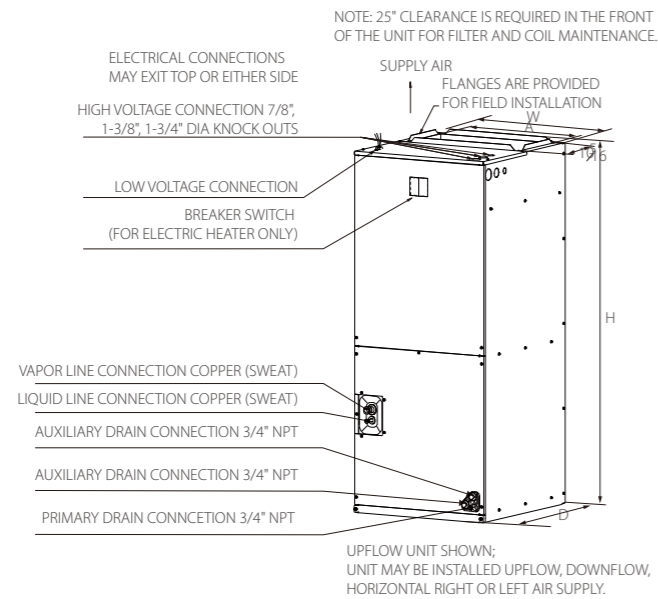


Unit Dimensions



Unit Dimensions	
Models	H x W x L (Inches)
36	24-15/16 x 29-1/8 x 29-1/8
60	33-3/16 x 29-1/8 x 29-1/8

Unit Dimensions



MODEL SIZE	Dimensions				UNIT WEIGHT /SHIPPING WEIGHT Lbs.[kg]
	UNIT HEIGHT "H" in. [mm]	UNIT WIDTH "W" in. [mm]	UNIT LENGTH "D" in. [mm]	DUCT LENGTH "A" in. [mm]	
24	46-1/2[1180]	19-5/8[500]	21-5/8[550]	18[456]	119/135 [54]/[61]
36	46-1/2[1180]	19-5/8[500]	21-5/8[550]	18[456]	124/139 [56]/[63]
48	54-1/2[1385]	22[560]	24[610]	19-1/2[496]	154/172 [70]/[78]
60	54-1/2[1385]	22[560]	24[610]	19-1/2[496]	161/179 [73]/[81]

Commercial Air Conditioner Division

Midea Group

Add.: Midea Headquarters Building, 6 Midea Avenue, Shunde, Foshan, Guangdong, China

Postal code: 528311

cac.midea.com www.midea-group.com



Note: Product specifications change from time to time as product improvements and developments are released and may vary from those in this document.



20 SEER Unitary Product 2/3/4/5 ton

Outdoor Unit Features

- ❖ Up to 20.5 SEER cooling efficiency and 10.5 HSPF heating efficiency;
- ❖ Variable capacity control to precisely match the cooling/heating load - no more no less;
- ❖ Wide operation range: down to -4 °F in heating and up to 125 °F in cooling;
- ❖ Compatible with most standard 24V thermostat;
- ❖ Compatible with anyone's indoor unit;
- ❖ Quiet as low as 56dB by compressor sound blanket;
- ❖ Compact cabinet design optimizes shipping cost and serviceability;

Indoor unit Features

- ❖ Two stage control provide enhanced comfort, energy savings, and superior humidity control
- ❖ Constant torque ECM motor optimizes efficiency and sound;
- ❖ 4-position installation: Upflow, Horizontal Right and Downflow, Horizontal Left (field convertible discharge)
- ❖ Factory installed TXV;



Specifications

	MOVA-36HDN1-M20G	MOVA-60HDN1-M20G
Cooling Capacity		
Nominal Cooling (BTU/h)	34600	54500
Nominal Heating (BTU/h)	34200	56000
Decibels (dB(A))		
Max @ 100% load	77	79
Min @ min load	56	60
Compressor		
RLA(A)	19	29
LRA(A)	44	52
Condenser Fan Motor		
Horsepower (HP)	1/3	1/3
FLA(A)	2.5	2.5
Refrigerant Line Size		
Liquid Line Size (OD)	3/8"	3/8"
Suction Line Size (OD)	3/4"	7/8"
Refrigerant Connection Size		
Liquid Valve Size (OD)	3/8"	3/8"
Suction Valve Size (OD)	3/4"	7/8"
Refrigerant Charge (R410-A, oz)	7 lbs. 9 oz.	11 lbs. 5 oz.
Expansion Device	EEV	EEV
Maximum Line Length(ft.)	150 FT	150 FT
Maximum Elevation Difference(ft.)	50 FT	50 FT
Operating Range		
Cooling	15-125 F	
Heating	-4~86 F	
Electrical Data		
Voltage-Phase-Hz	208/230-1-60	208/230-1-60
Minimum Circuit Ampacity(A)	26.3	38.8
Max. Overcurrent Protection(A)	45	60
Weight		
Net Weight (lbs.)	150	220
Gross Weight (lbs.)	180	253
Dimensions		
Unpacking L x W x H (in.)	29-1/8 x 29-1/8 x 24-15/16	29-1/8 x 29-1/8 x 33-3/16
Packing L x W x H (in.)	30-1/5x30-1/5x26-1/4	30-1/5x30-1/5x34-1/2

Specifications

	MVME24B2MN1TA	MVME36B2MN1TA	MVME48C2MN1TA	MVME60C2MN1TA
Performance				
Nominal Cooling (BTU/h)	24000	34600	47500	54500
Nominal Heating (BTU/h)	23000	34200	48000	56000
SEER	20.5	20	20	19
EER	14	12.5	13.5	12.5
HSPF	10.5	10.5	10.5	10.5
Blower				
Diameter(in.)	10-5/8	11	11	11
Width(in.)	8-1/8	10-11/16	10-11/16	10-11/16
Fan Motor				
Horsepower (HP)	1/3	1/2	3/4	3/4
Full Load Amps(A)	2.6	3	4.5	4.5
Refrigerant Line Size				
Liquid Line Size (OD)	3/8"	3/8"	3/8"	3/8"
Suction Line Size (OD)	3/4"	3/4"	7/8"	7/8"
Refrigerant Connection Size				
Liquid Line Size (OD)	3/8"	3/8"	3/8"	3/8"
Suction Line Size (OD)	3/4"	3/4"	7/8"	7/8"
Expansion Device [TXV - Thermal Expansion Valve]	TXV			
Decibels dB(A)				
High Speed	63	65	67	68
Medium Speed	59	62	63	64
Low Speed	55	58	59	60
Electrical Data				
Voltage-Phase-Hz	208/230-1-60	208/230-1-60	208/230-1-60	208/230-1-60
Minimum Circuit Ampacity(A)	3.3	3.8	5.7	5.7
Max. Overcurrent Protection(A)	15	15	15	15
Air Filter				
Air Filter Sizes	18" x 20"	18" x 20"	20" x 22"	20" x 22"
Weight				
Net Weight (lbs)	119	124	154	161
Gross Weight (lbs)	147	152	187	194
Dimensions				
Unpacking L x W x H (in.)	21-5/8 x 19-5/8 x 46-1/2	21-5/8 x 19-5/8 x 46-1/2	24 x 22 x 54-1/2	24 x 22 x 54-1/2
Packing L x W x H (in.)	25-3/8 x 22-5/16 x 52-9/16	25-3/8 x 22-5/16 x 52-9/16	27-11/16 x 24-11/16 x 60-5/8	27-11/16 x 24-11/16 x 60-5/8